

DATE	PROJECT	FIRM	TYPE
------	---------	------	------

RISE IS A SYSTEM OF BEAUTIFULLY DESIGNED OUTDOOR RATED LUMINAIRE THAT PROVIDE EFFICIENT AND POWERFUL LIGHT USING THE LATEST IN LED TECHNOLOGY. RISE F170 SINGLE IS A POWERFUL AND COMPACT LED LIGHT FIXTURE, DELIVERING UP TO 4450 LUMENS, THAT CAN BE USED IN SPOT, ACCENT, LANDSCAPE AND FLOODLIGHT APPLICATIONS. ITS UNIQUE MACRO[™] LOCK FEATURE ALLOWS FOR FULL 180 DEGREE TILT AND 360 DEGREE PAN AIMABILITY USING ONLY ONE TOOL.



FEATURES :

- POWERFUL CBCP
- EXTREMELY COMPACT
- POWERFUL OUTPUT UP TO 4450 LUMENS
- MACRO[™] LOCK - 180° TILT AND 360° PAN
- 12 UNIQUE BEAM ANGLES
- MULTIVOLT (110 V-277 V)
- 8 CCTS: 2200K THROUGH 6500K
- 80+ AND 90+ CRI
- DIMMABLE TO 5%
- IP66 RATED

FIXTURE MODEL	FIXTURE CONFIG.	POWER/LUMEN OUTPUT*	CCT/COLOR	CRI	BEAM ANGLE	FINISHES	ACCESSORIES	WIRING AND MOUNTING
F170	1S - Single Head	LO - Low Output MO - Medium Output HO - High Output	22 - 2200K 25 - 2500K 27 - 2700K 30 - 3000K 35 - 3500K 40 - 4000K 50 - 5000K 65 - 6500K RD - Red GR - Green BL - Blue AM - Amber *2200K and 2500K not available in 40°, 60°, 70° and 90°	8 - 80 9 - 90* X - For RD, GR, BL, AM *90 CRI not available in 2200K, 2500K, 5000K, and 6500K	05 - Laser Spot (5°) 10 - Very Narrow Spot (10°) 15 - Narrow Spot (15°) 20 - Spot (20°) 40 - Flood (40°) 60 - Medium Flood (60°) 70 - Wide Flood (70°) 90 - Very Wide Flood (90°) E1 - Elliptical 1 (15°x60°) E2 - Elliptical 2 (30°x60°) E3 - Elliptical 3 (60°x15°) E4 - Elliptical 4 (60°x30°)	K - Black Z - Bronze S - Silver W - White C - Custom* *Provide RAL #	X - No Accessory H - Half Snoot F - Full Snoot Will ship as X if not specified	A - 19" Flying Leads - Internal Cable IC; Bottom Exit; 1/2" NPT ; UL Listed B* - 10' External Cable Side Exit; Surface Mount ; UL Listed C* - 10' External Cable Bottom Exit; Surface Mount - 1/2" NPT ; UL Listed D* - 10' External Cable Side Exit; Surface Mount ; CE Listed E* - 10' External Cable Bottom Exit; Surface Mount - 1/2" NPT; CE Listed *Will ship as A if not specified

EXAMPLE: F170-1S-LO-22-8-05-S-X-A

*SEE PHOTOMETRIC CHART FOR LUMEN DATA

PERFORMANCE	WATTS	POWER	LUMEN OUTPUT		EFFICACY		CBCP	
			5°	40°	5°	40°	5°	40°
	13	Low Output	1,258	1,633	97	126	72,487	2,861
	25	Medium Output	2,131	2,955	85	118	122,841	5,177
	38	High Output	2,878	4,350	76	114	165,891	7,621

ALL LUMEN DATA IS FROM 4000K 80CRI FIXTURES. PLEASE SEE PHOTOMETRY SPEC SHEET FOR ADDITIONAL LUMEN DATA.

COLOR RENDERING INDEX
COLOR CONSISTENCY

80+, 90+
3-STEP MACADAM ELLIPSE

LUMEN DEPRECIATION

WATTS | L70 @ 25C | L70 @ 50C | L90 @ 25C | L90 @ 50C

LOW	>60,500* >(109,000)**	>60,500* >(109,000)**	>60,500* >(109,000)**	>60,500* >(109,000)**
MEDIUM	>60,500* >(109,000)**	>60,500* >(109,000)**	>60,500* >(109,000)**	>60,500* >(109,000)**
HIGH	>60,500* >(181,000)**	>36,300* >(69,800)**	>60,500* >(69,800)**	>33,200*

* ENERGY STAR REPORTED TESTING HOURS TO DATE. CALCULATIONS FOR LED FIXTURES ARE BASED ON MEASUREMENTS THAT COMPLY WITH IES LM-80 TESTING PROCEDURES AND IES TM-21 CALCULATOR

** ESTIMATED HOURS

NOTE: Information on this Spec Sheet is subject to change, please visit ecosenselighting.com/downloads/raise for the most updated information.

ECOSENSE LIGHTING INC.
837 NORTH SPRING STREET
SUITE 103
LOS ANGELES, CA 90012

P • 310.496.6255
F • 310.496.6256
T • 855.632.6736
855.6.ECOSEN

SPECIFICATIONS SUBJECT TO CHANGE WITHOUT NOTICE. VISIT ECOSENSELIGHTING.COM FOR THE MOST CURRENT SPECIFICATIONS. FOR A LIST OF PATENTS VISIT ECOSENSELIGHTING.COM/IP-PORTFOLIO/
©2019 ECOSENSE LIGHTING INC. ALL RIGHTS RESERVED. ECOSENSE, THE ECOSENSE LOGO, TROY, TROY AND ECOSPEC ARE REGISTERED TRADEMARKS OF ECOSENSE LIGHTING INC.
RISE[™], SLIM COVE[™], FREEDOM TO CREATE[™], MACRO[™], FLIP-TO-FLAT[™] ARE TRADEMARKS OF ECOSENSE LIGHTING INC.

ECOSENSELIGHTING.COM

1/4

DATE	PROJECT	FIRM	TYPE
ELECTRICAL	WATTAGE POWER FACTOR THD OPERATING VOLTAGE DRIVER STARTUP TEMPERATURE OPERATING TEMPERATURE STORAGE TEMPERATURE SURGE PROTECTION	LOW OUTPUT = 13 W; MEDIUM OUTPUT = 25 W; HIGH OUTPUT = 38 W >0.9 for 120 V (HO, MO, LO), 230 V (HO, MO), 277 V (HO) <0.2 for 120 V (HO, MO, LO), 230 V (HO, MO), 277 V (HO) MULTIVOLT: 110-277 VAC, 50/60 Hz INTEGRAL TO FIXTURE; DE-RATED POWER AND SYNCHRONOUS START-UP AT FULL BRIGHTNESS -40 °F TO 122 °F (-40 °C TO 50 °C) -40 °F TO 122 °F (-40 °C TO 50 °C) -40 °F TO 176 °F (-40 °C TO 80 °C) SURGE PROTECTION DEVICES WITH A MINIMUM DISCHARGE CURRENT RATING OF 20KA, THAT MEET UL1449, CSA C22.2 No. 269.1, AND IEC TR 62066, SHOULD BE INSTALLED ON EACH BRANCH CIRCUIT.	
CONTROL	DIMMING	110-277VAC, ELV TYPE, REVERSE PHASE, TRAILING EDGE	
PHYSICAL	DIMENSIONS HOUSING/LENS WEIGHT ENVIRONMENT MOUNTING OPTIONS WIRING TOOLS WIND LOAD (EPA) CORROSION RESISTANT	W 5.2" x H 12.07" x L 10.24" ; (131.98 mm x 306.65 mm x 260.01 mm) EXTRUDED ALUMINUM; UV STABILIZED POLYCARBONATE; STAINLESS STEEL FASTENERS 8.5 LBS / 3.85 KG OUTDOOR • UL CERTIFIED FOR WET LOCATIONS IP66 IMPACT RATED TO IK10 MEETS 3G ANSI C136.31 VIBRATION STANDARD FOR BRIDGE APPLICATIONS A - FLYING LEADS - INTERNAL CABLE IC; BOTTOM EXIT; 1/2" NPT ; UL / CE LISTED B - EXTERNAL CABLE SIDE EXIT; SURFACE MOUNT ; UL LISTED SURFACE MOUNT PLATE INCLUDED C - EXTERNAL CABLE BOTTOM EXIT; 1/2" NPT ; UL LISTED SURFACE MOUNT PLATE INCLUDED D - EXTERNAL CABLE SIDE EXIT; SURFACE MOUNT ; CE LISTED SURFACE MOUNT PLATE INCLUDED E - EXTERNAL CABLE BOTTOM EXIT; SURFACE MOUNT : CE LISTED SURFACE MOUNT PLATE INCLUDED LENGTH OF FLYING LEADS 19" (482.6 mm) LENGTH OF EXTERNAL CABLE 10' (3.05 m) 2.5 mm HEX KEY AND PHILLIPS #0 SCREWDRIVER FOR INTERCHANGEABLE LENS + SNOOTS 4 mm HEX KEY FOR AIMING 5 mm HEX KEY FOR MAIN TILT ARM EFFECTIVE PROJECTED AREA 0.30 ft ² RISE HAS A HIGH-PERFORMING, CORROSION-RESISTANT FINISH THAT USES HIGH DURABILITY TRIGLYCIDYL ISOCYANURATE (TGIC) POWDER COATINGS SPECIFICALLY DESIGNED FOR NATATORIUMS AND EXTERIOR WEATHER EXPOSURE. THIS FINISH HAS BEEN TESTED AND APPROVED TO MARINE GRADE CORROSION RESISTANCE STANDARD IN UL1598A, ASTM B117 SALT FOG TEST FOR 200 HOURS.	

FIXTURE RATING & CERTIFICATIONS **CE, UL CERTIFIED**
RoHS COMPLIANT, IK10



LIMITED WARRANTY **5 YEARS**

0-10V CONTROL OPTIONS

100-120 VAC / 277 VAC Linear Dimming Control Module 0-10 V - Plenum Rated LDCM-PL-120-277-010V-GR

All products come standard with ELV dimming capabilities. 0-10 V Control options required for operation at 0-10 V.

OPTIONAL ACCESSORIES

Snoots

Half Snoot, Color Finish (K=Black, Z=Bronze, S=Silver, W=White, C=Custom) F170-H-(K,Z,S,W,C)
 Full Snoot, Color Finish (K=Black, Z=Bronze, S=Silver, W=White, C=Custom) F170-F-(K,Z,S,W,C)

Interchangeable Lens

If inner optic = 5°,

Desired angle	Order the following spread lens
5 Degree	F170-LENS-05
10 Degree	F170-LENS-10
15 Degree	F170-LENS-15
20 Degree	F170-LENS-20
40 Degree	F170-LENS-40
60 Degree	F170-LENS-60
80 Degree	F170-LENS-80
15x60 or 60x15 Degree	F170-LENS-E1E3

NOTE: Information on this Spec Sheet is subject to change, please visit ecosenselighting.com/downloads/raise for the most updated information.

ECOSENSE LIGHTING INC.
 837 NORTH SPRING STREET
 SUITE 103
 LOS ANGELES, CA 90012

P • 310.496.6255
F • 310.496.6256
T • 855.632.6736
 855.6.ECOSEN

SPECIFICATIONS SUBJECT TO CHANGE WITHOUT NOTICE. VISIT ECOSENSELIGHTING.COM FOR THE MOST CURRENT SPECIFICATIONS. FOR A LIST OF PATENTS VISIT ECOSENSELIGHTING.COM/IP-PORTFOLIO/
 ©2019 ECOSENSE LIGHTING INC. ALL RIGHTS RESERVED. ECOSENSE, THE ECOSENSE LOGO, TROV, TROY AND ECOSPEC ARE REGISTERED TRADEMARKS OF ECOSENSE LIGHTING INC.
 RISE™, SLIM COVE™, FREEDOM TO CREATE™, MACRO™, FLIP-TO-FLAT™ ARE TRADEMARKS OF ECOSENSE LIGHTING INC.

ECOSENSELIGHTING.COM

2/4

DATE	PROJECT	FIRM	TYPE
------	---------	------	------

30x60 or 60x30 Degree	F170-LENS-E2E4
Full Set of Beam Angle Lens Degree (5, 10, 15, 20, 40, 60, 80, 15X60 or 60X15, 30X60 or 60X30)	F170-LENS-FULLSET

If inner optic = 40°,

Desired angle	Order the following spread lens
5 Degree	NOT SUPPORTED
10 Degree	NOT SUPPORTED
15 Degree	NOT SUPPORTED
20 Degree	NOT SUPPORTED
40 Degree	F170-LENS-10
60 Degree	F170-LENS-40
70 Degree	F170-LENS-60
90 Degree	F170-LENS-80
15x60 or 60x15 Degree	NOT SUPPORTED
30x60 or 60x30 Degree	NOT SUPPORTED
Full Set of Beam Angle Lens Degree (5, 10, 15, 20, 40, 60, 80, 15X60 or 60X15, 30X60 or 60X30)	F170-LENS-FULLSET

Honeycomb Louver

Honeycomb Louver F170.....	F170-LV-HComb
----------------------------	---------------

Canopy Plate (Not for use with Option B or D - External Cable Side Exit)

RISE Canopy Plate (K=Black, Z=Bronze, S=Silver, W=White, C=Custom)	RISE-CANOPY-04-(K,Z,S,W,C)
--	----------------------------

Color Filters

Red	F170-FILTER-RED
Blue	F170-FILTER-BLUE
Green	F170-FILTER-GREEN
Amber	F170-FILTER-AMBER

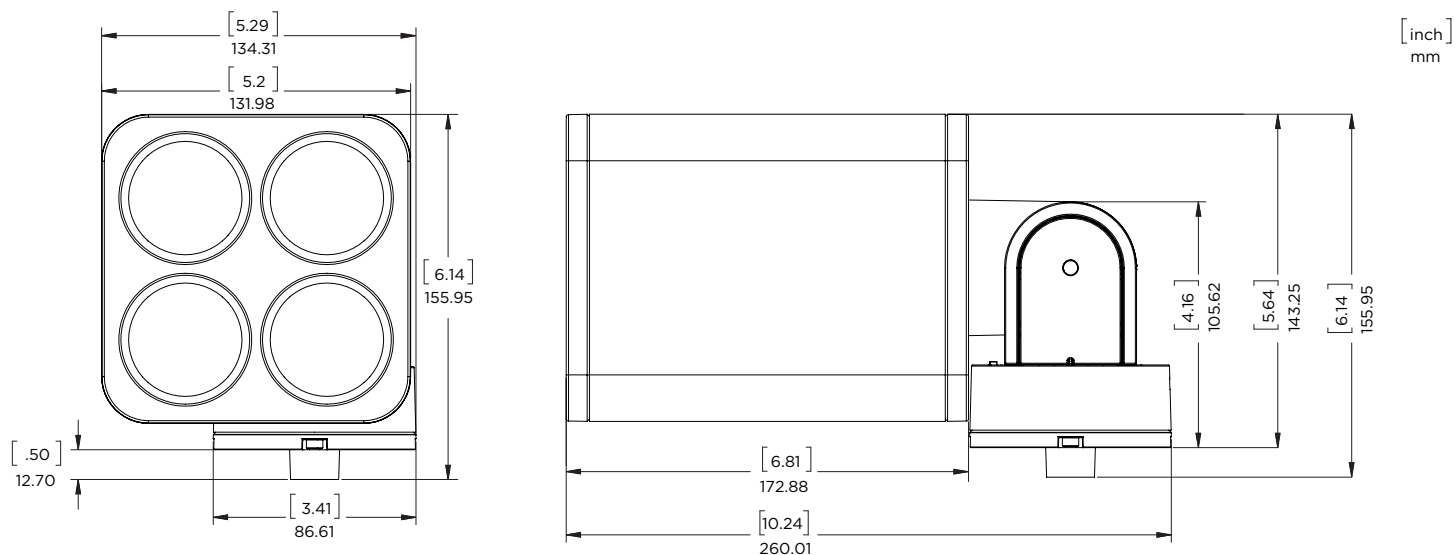
F170 Wall Mount Arm (for use only with Wiring Option C - External Cable Bottom Exit, not for use with F170 Multi-up fixtures)

Wall Mount Arm, 6 inch, Color Finish (K=Black, Z=Bronze, S=Silver, W=White, C=Custom)	F170-WMA-06-(K,Z,S,W,C)
Wall Mount Arm, 12 inch, Color Finish (K=Black, Z=Bronze, S=Silver, W=White, C=Custom)	F170-WMA-12-(K,Z,S,W,C)
Wall Mount Arm, 18 inch, Color Finish (K=Black, Z=Bronze, S=Silver, W=White, C=Custom)	F170-WMA-18-(K,Z,S,W,C)
Wall Mount Arm, 24 inch, Color Finish (K=Black, Z=Bronze, S=Silver, W=White, C=Custom)	F170-WMA-24-(K,Z,S,W,C)

Ground Stake (for use only with Wiring Option C - External Cable Bottom Exit, not for use with F170 Multi-up fixtures)

Landscape Stake, 12 in	F170-LS-1S-STK-12
------------------------------	-------------------

DIMENSIONS



NOTE: Information on this Spec Sheet is subject to change, please visit ecosenselighting.com/downloads/raise for the most updated information.

ECOSENSE LIGHTING INC.
 837 NORTH SPRING STREET
 SUITE 103
 LOS ANGELES, CA 90012

P • 310.496.6255
F • 310.496.6256
T • 855.632.6736
 855.6.ECOSEN

SPECIFICATIONS SUBJECT TO CHANGE WITHOUT NOTICE. VISIT [ECOSENSELIGHTING.COM](https://ecosenselighting.com) FOR THE MOST CURRENT SPECIFICATIONS. FOR A LIST OF PATENTS VISIT [ECOSENSELIGHTING.COM/IP-PORTFOLIO/](https://ecosenselighting.com/ip-portfolio/)
 ©2019 ECOSENSE LIGHTING INC. ALL RIGHTS RESERVED. ECOSENSE, THE ECOSENSE LOGO, TROY, TROY AND ECOSPEC ARE REGISTERED TRADEMARKS OF ECOSENSE LIGHTING INC.
 RISE™, SLIM COVE™, FREEDOM TO CREATE™, MACRO™, FLIP-TO-FLAT™ ARE TRADEMARKS OF ECOSENSE LIGHTING INC.

[ECOSENSELIGHTING.COM](https://ecosenselighting.com)

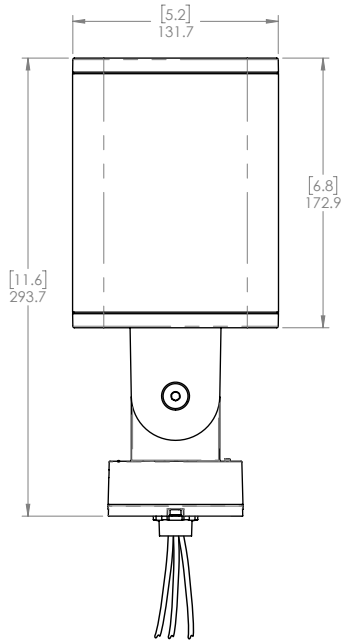
3/4

DATE	PROJECT	FIRM	TYPE
------	---------	------	------

WIRING GUIDE

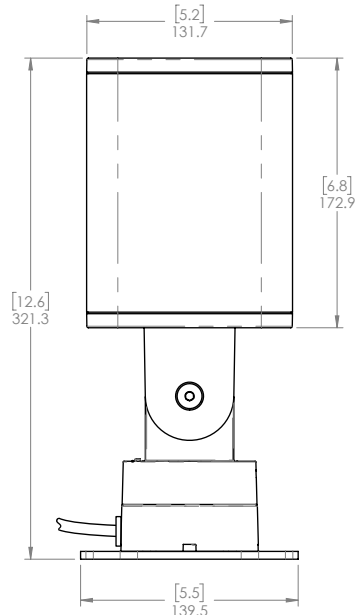
RISE is an interior and exterior rated (IP66) fixture that is available in three different wiring options:

Flying Leads - Internal Cable (UL Listed or CE Rated)



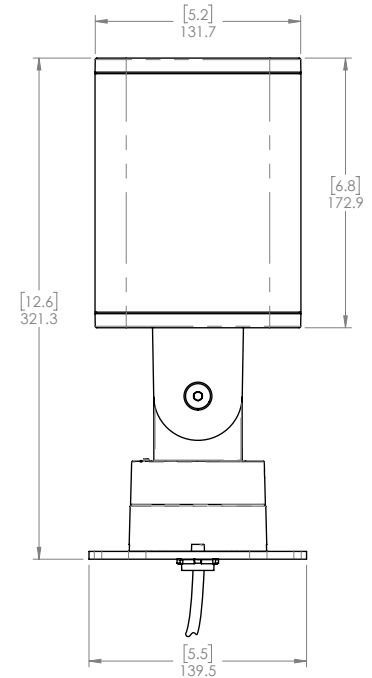
- For use with standard junction boxes
- 1/2" NPT Taper, Cable Length is 19"
- Compatible with EcoSense Canopy junction Box Cover
- 18 AWG Stranded Copper Cable - 3 Conductors

External Cable Side Exit (UL Listed or CE Rated)



- For use when external, exterior rated cable is required to run to remote junction box or mains
- Cable exits the side of the base
- Comes with a Surface Mount Plate, for mounting direct to surface
- Cable Length is 10' (3.05 m)

External Cable Bottom Exit (UL Listed or CE Rated)



- For use when external, exterior rated cable is required to run to remote junction box or mains
- Cable exits the bottom for use with various accessories such as Wall Mount Arm and Ground Stake
- 1/2" NPT taper for mounting
- Comes with a Surface Mount Plate, for mounting direct to surface
- Cable Length is 10' (3.05 m)

NOTE: Information on this Spec Sheet is subject to change, please visit ecosenselighting.com/downloads/rise for the most updated information.